

G6 Series

Food & Beverage

Lighting

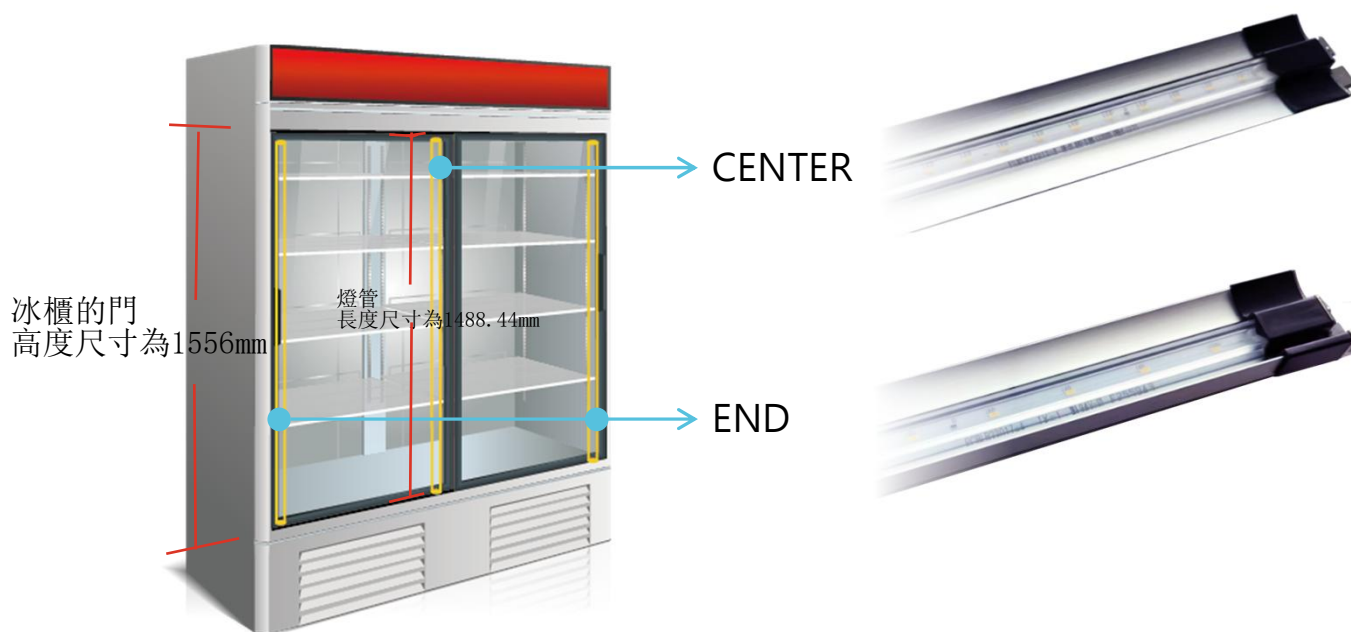


Ledtech

LEDTECH ELECTRONICS CORP.
Since 1977

G 6 Vertical LED Light

For refrigerator display cases



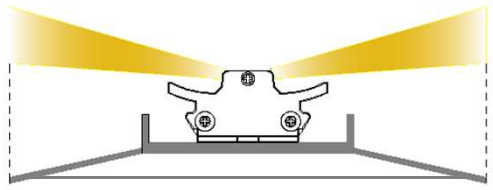
Key Features

- Designed for high performance in the freezers with glass doors
- Uniformity brightness, No light spots, No visible light, Less heat generated
- High ingress protection index, IP67
- High color rendering index (CRI), 80 min. or 90 min.
- 50,000 hours long life, 5 years warranty

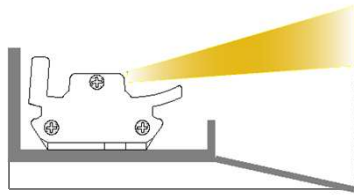


Special Optical Design

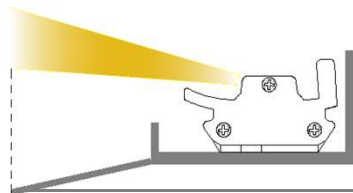
CENTER



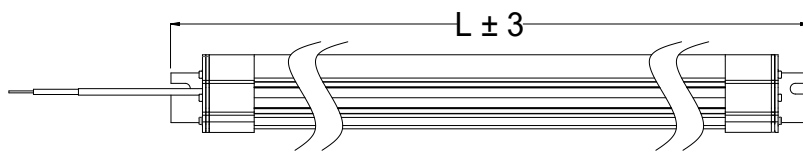
END LEFT



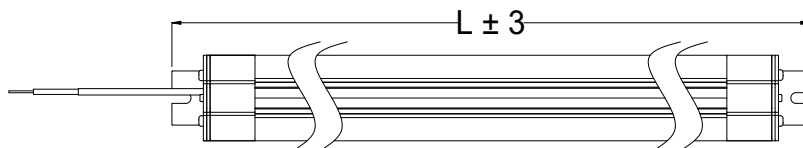
END RIGHT



Dimensions: (mm)



END LEFT/ END RIGHT



CENTER



Specifications

HUS Series

PART NUMBER	DESCRIPTION	POWER	Lumens	LPW	CCT	CRI	ALL OVER LENGTH
		TYP. (W)	TYP. (W)	lm/w	k	Ra (min.)	L(Inch)
TD10WxD3D1SC1	VERTICAL CTR 34	10	1200	120	3500/4000/5000	90	33.4
TD06WxD3D1SE1	VERTICAL END-L 34	6	630	105	3500/4000/5000	90	33.4
TD06WxD3D1SE2	VERTICAL END-R 34	6	630	105	3500/4000/5000	90	33.4
TD14WxD4D1SC1	VERTICAL CTR 46.7	13.8	1650	120	3500/4000/5000	90	46.7
TD09WxD4D1SE1	VERTICAL END-L 46.7	9	945	105	3500/4000/5000	90	46.7
TD09WxD4D1SE1	VERTICAL END-R 46.7	9	945	105	3500/4000/5000	90	46.7
TD17WxD5D1SC1	VERTICAL CTR 58.6	16.6	1990	120	3500/4000/5000	90	58.6
TD11WxD5D1SE1	VERTICAL END-L 58.6	10.8	1135	105	3500/4000/5000	90	58.6
TD11WxD5D1SE2	VERTICAL END-R 58.6	10.8	1135	105	3500/4000/5000	90	58.6
TD19WxD6D1SC1	VERTICAL CTR 65.7	18.9	2260	120	3500/4000/5000	90	65.7
TD12WxD6D1SE1	VERTICAL END-L 65.7	12.2	1280	105	3500/4000/5000	90	65.7
TD12WxD6D1SE2	VERTICAL END-R 65.7	12.2	1280	105	3500/4000/5000	90	65.7
TD22WxD6D1SC1	VERTICAL CTR 73.5	22	2640	120	3500/4000/5000	90	73.5
TD14WxD6D1SE1	VERTICAL END-L 73.5	13.8	1450	105	3500/4000/5000	90	73.5
TD14WxD6D1SE2	VERTICAL END-R 73.5	13.8	1450	105	3500/4000/5000	90	73.5

*x=K=3500k;x=B=4000k;x=T=5000k

Standard

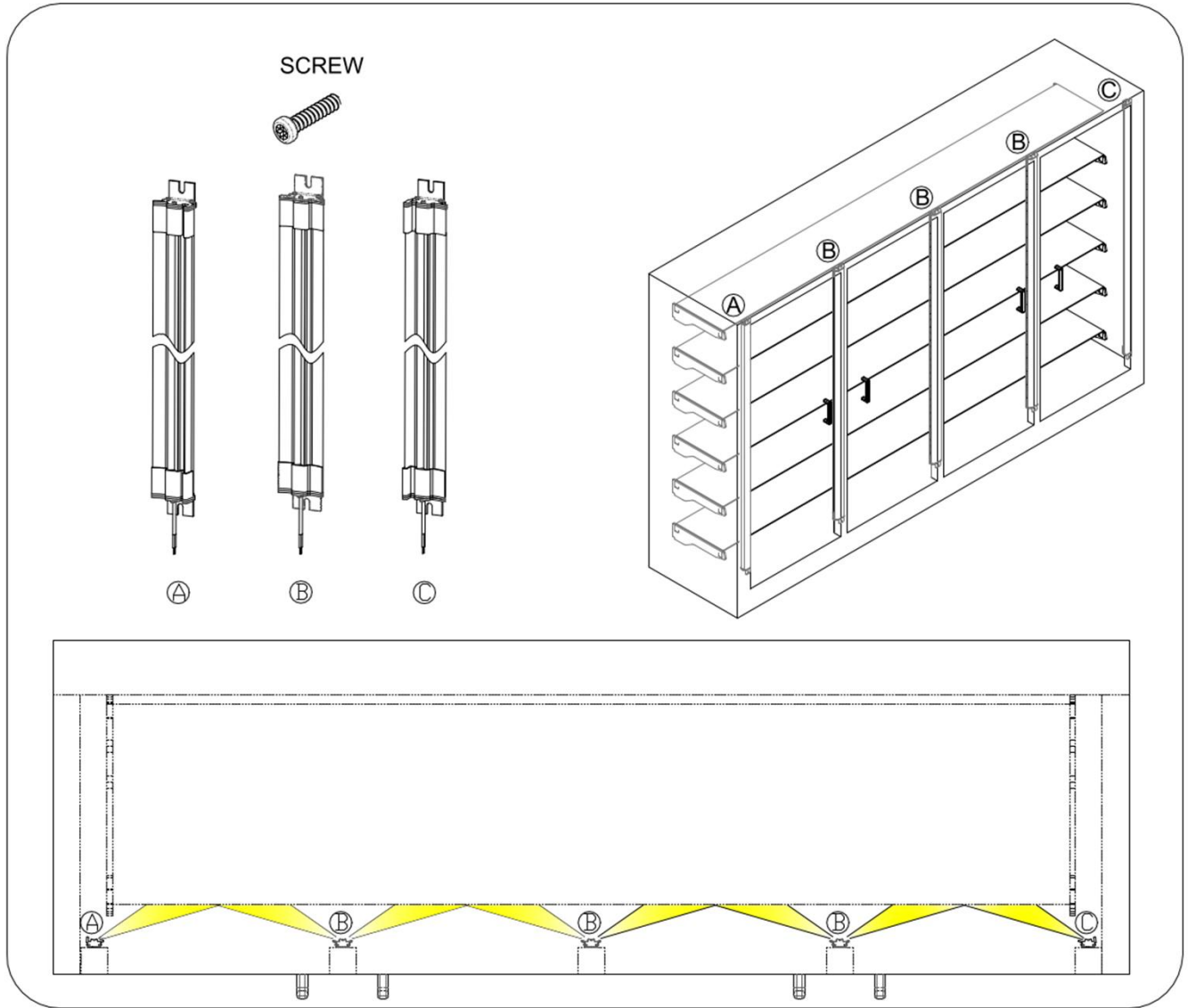
PART NUMBER	DESCRIPTION	POWER	Lumens	LPW	CCT	CRI	ALL OVER LENGTH
		TYP. (W)	TYP. (W)	lm/w	k	Ra (min.)	L(Inch)
TD12WxD4D1SC1	VERTICAL CTR 48	12	1440	120	4000/5000	90	48
TD06WxD4D1SE1	VERTICAL END-L 48	6	630	105	4000/5000	90	48
TD06WxD3D1SE2	VERTICAL END-R 48	6	630	105	4000/5000	90	48
TD14WxD6D1SC1	VERTICAL CTR 56	14	1680	120	4000/5000	90	56
TD07WxD6D1SE1	VERTICAL END-L 56	7	735	105	4000/5000	90	56
TD07WxD6D1SE2	VERTICAL END-R 56	7	735	105	4000/5000	90	56
TD16WxD6D1SC1	VERTICAL CTR 62.3	16	1920	120	4000/5000	90	62.3
TD08WxD6D1SE1	VERTICAL END-L 62.3	8	840	105	4000/5000	90	62.3
TD08WxD6D1SE2	VERTICAL END-R 62.3	8	840	105	4000/5000	90	62.3
TD17WxD6D1SC1	VERTICAL CTR 68	17	2040	120	4000/5000	90	68
TD08WxD6D1SE1	VERTICAL END-L 68	8	840	105	4000/5000	90	68
TD08WxD6D1SE2	VERTICAL END-R 68	8	840	105	4000/5000	90	68
TD19WxD6D1SC1	VERTICAL CTR 72	18.6	2230	120	4000/5000	90	72
TD09WxD6D1SE1	VERTICAL END-L 72	9	945	105	4000/5000	90	72
TD09WxD6D1SE2	VERTICAL END-R 72	9	945	105	4000/5000	90	72

*x=B=4000k;x=T=5000k

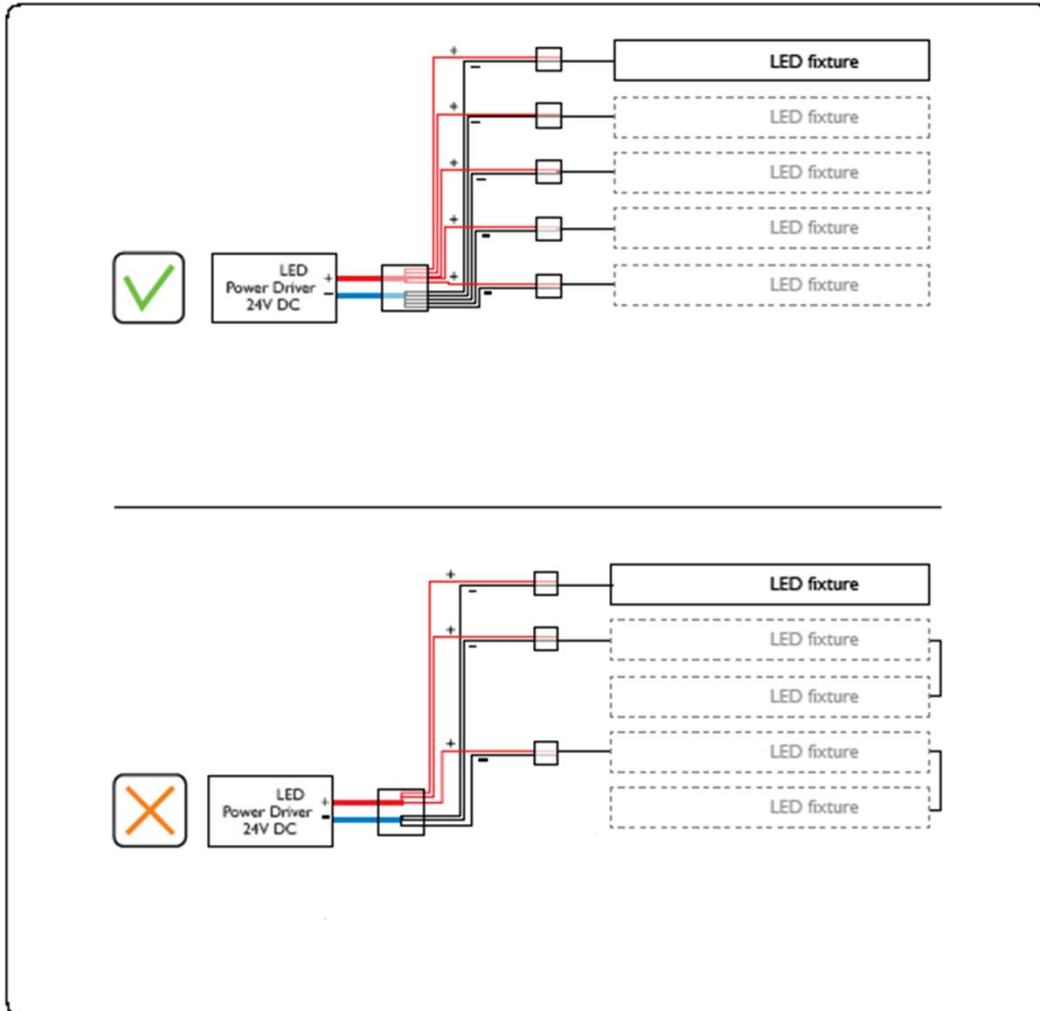
- Typical tube DC input power consumption.
- To convert to AC input power consumption, it will depend on the LED driver efficiency, the maximum value will be 11% higher than Typical



Installation



Wiring Diagram



Certification and Safety

 Protection class : IP67

